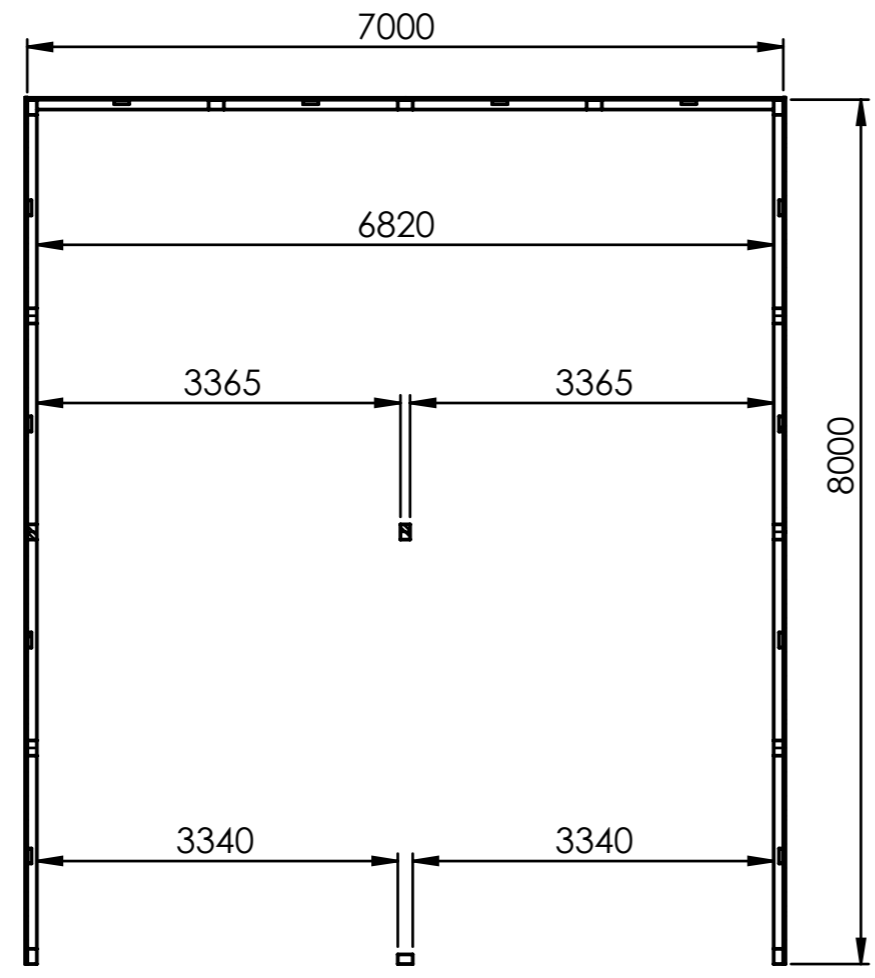
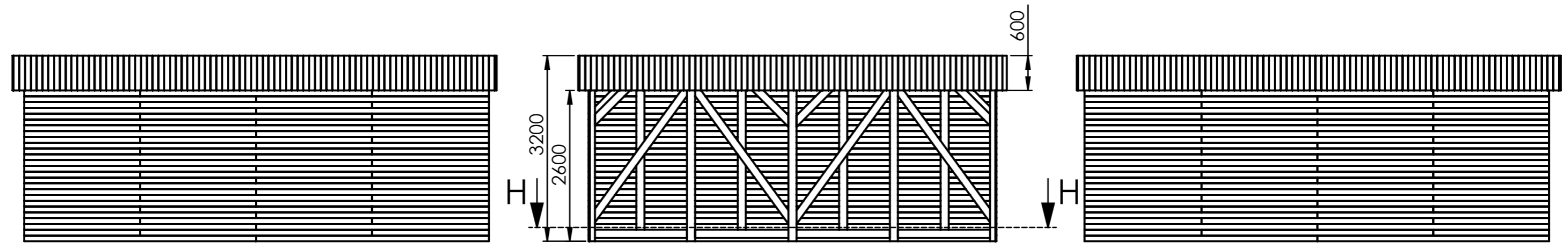


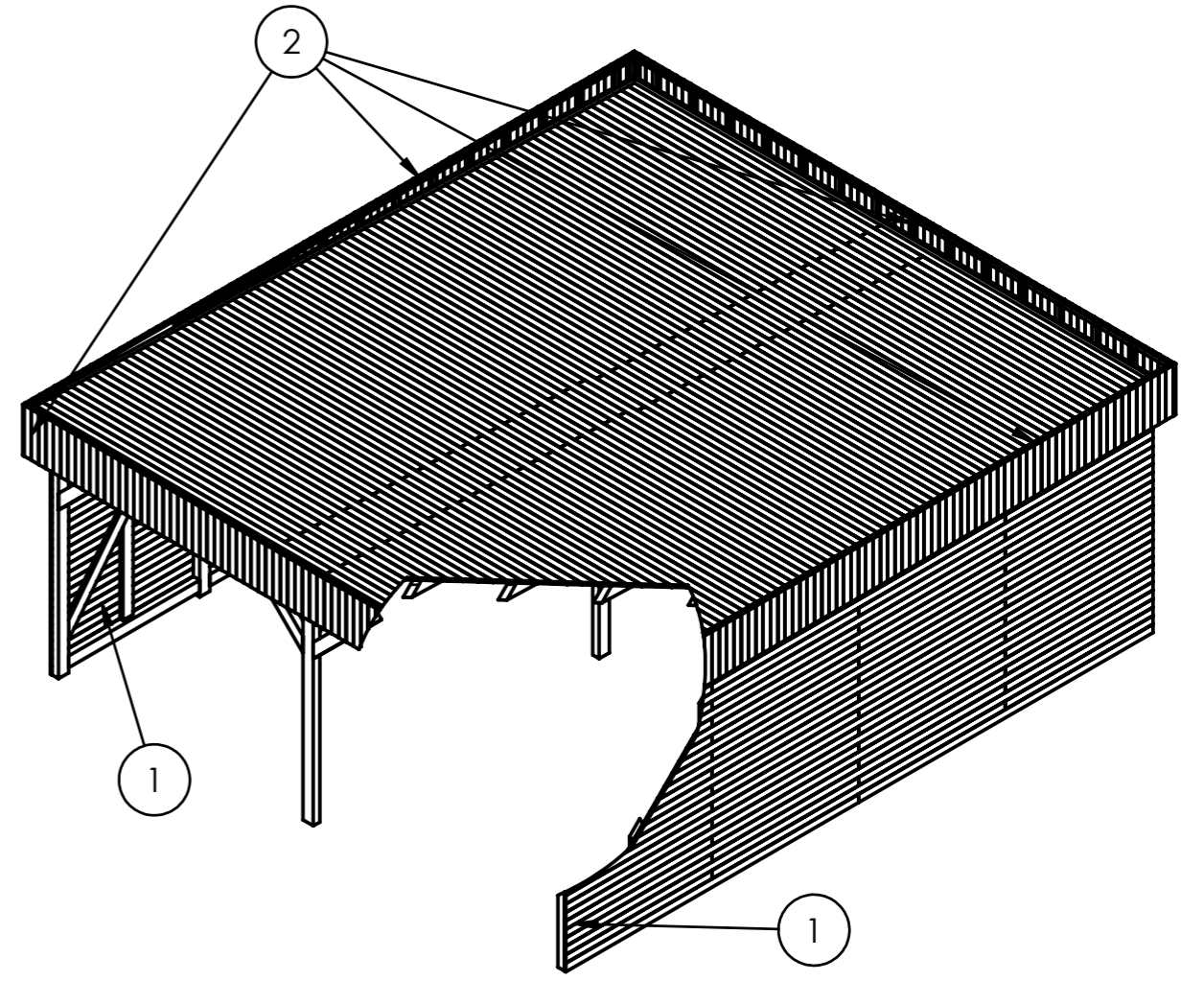
1

2

1



SECTION H-H



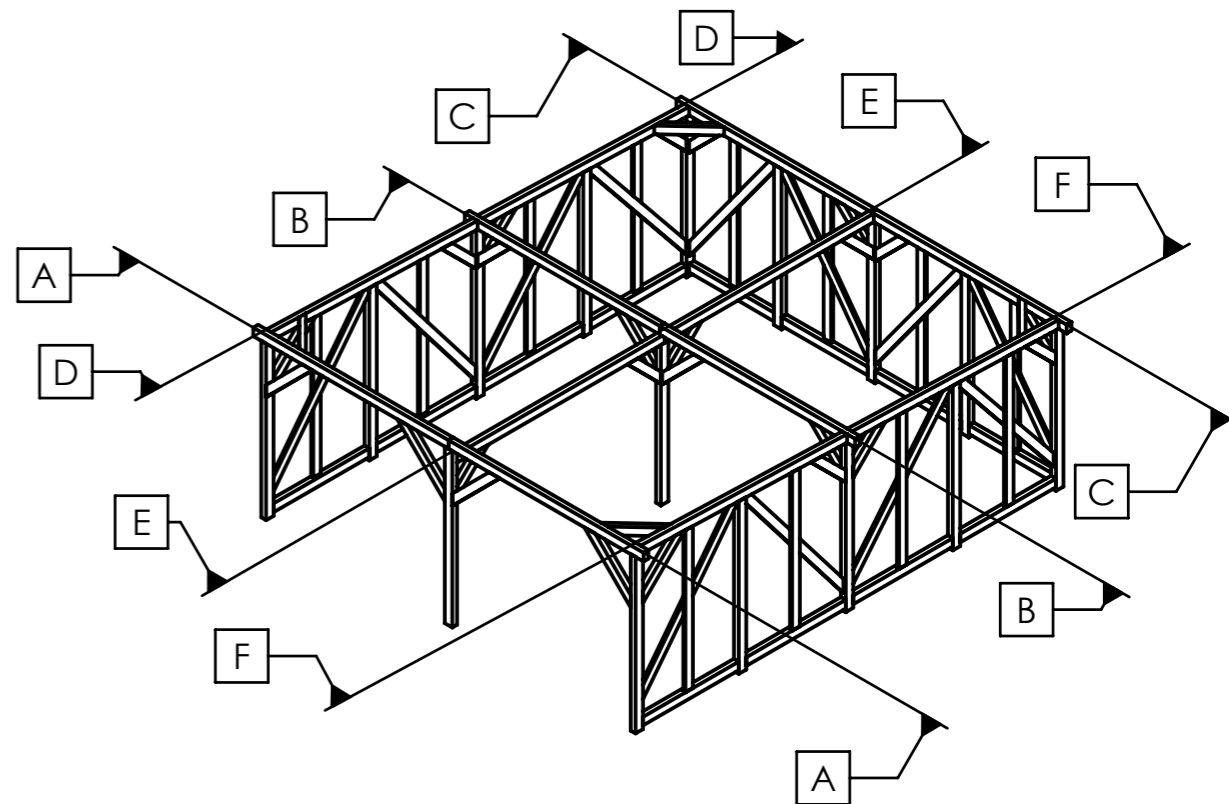
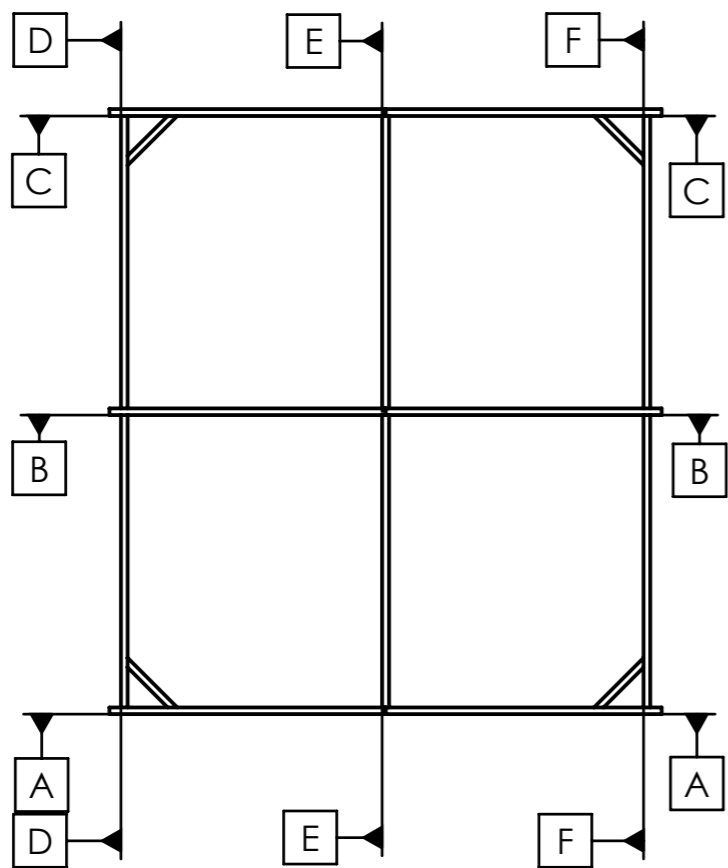
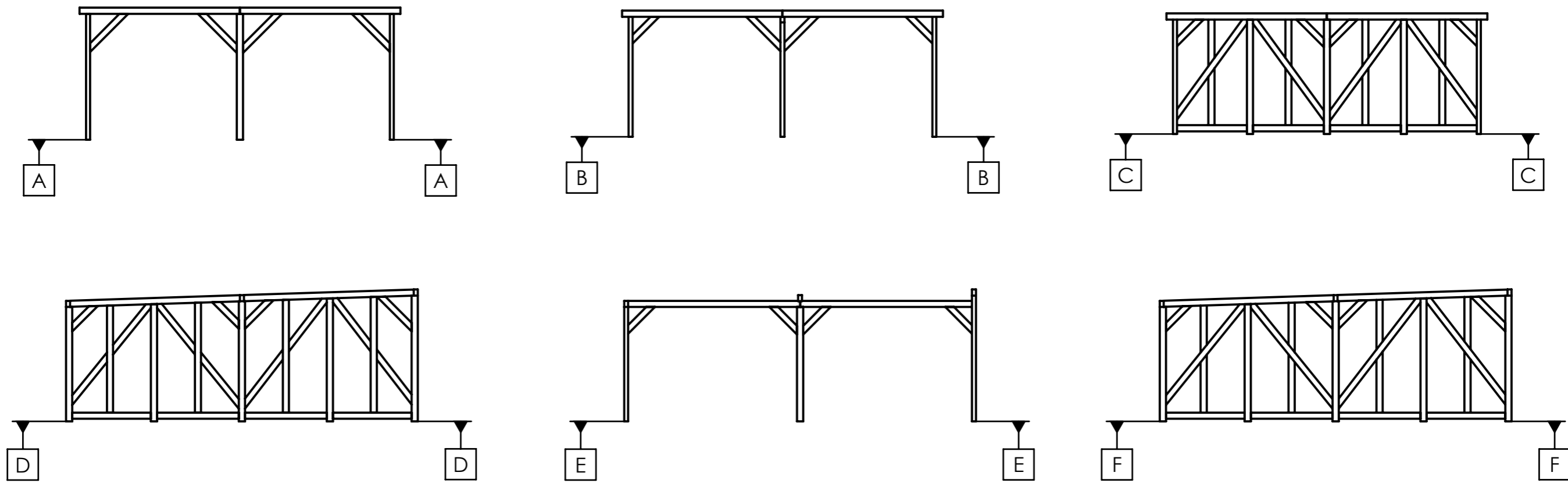
Date	2017-07-24
	14:52:37

ITEM NO.	PART NUMBER	QTY.
1	Cladding	1
2	Headband	1

Sheet 1-1	2017-07-19	051295 GB7080(19) one slope	A3
	Date		

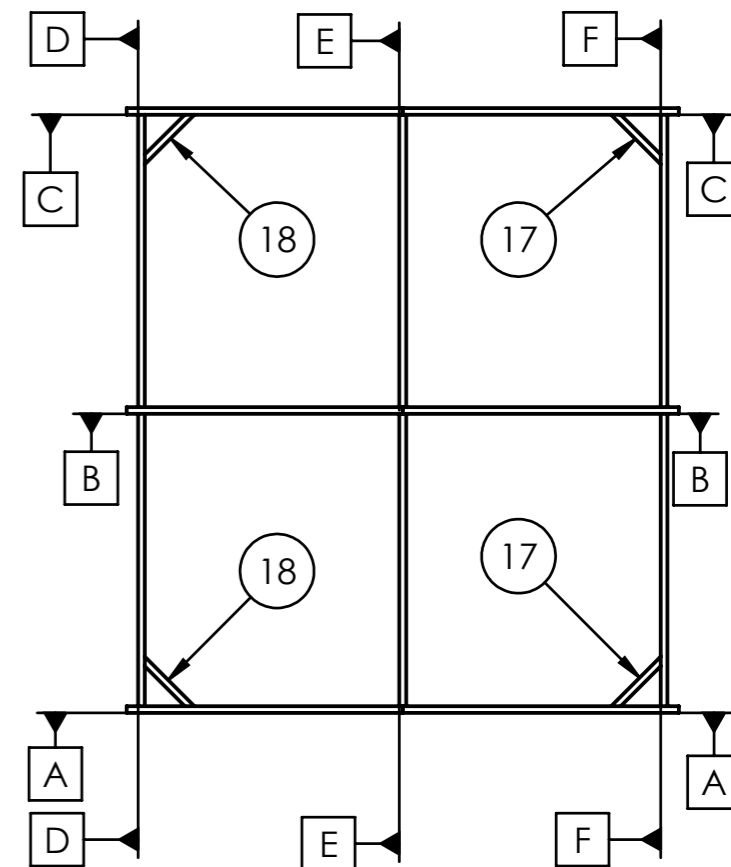
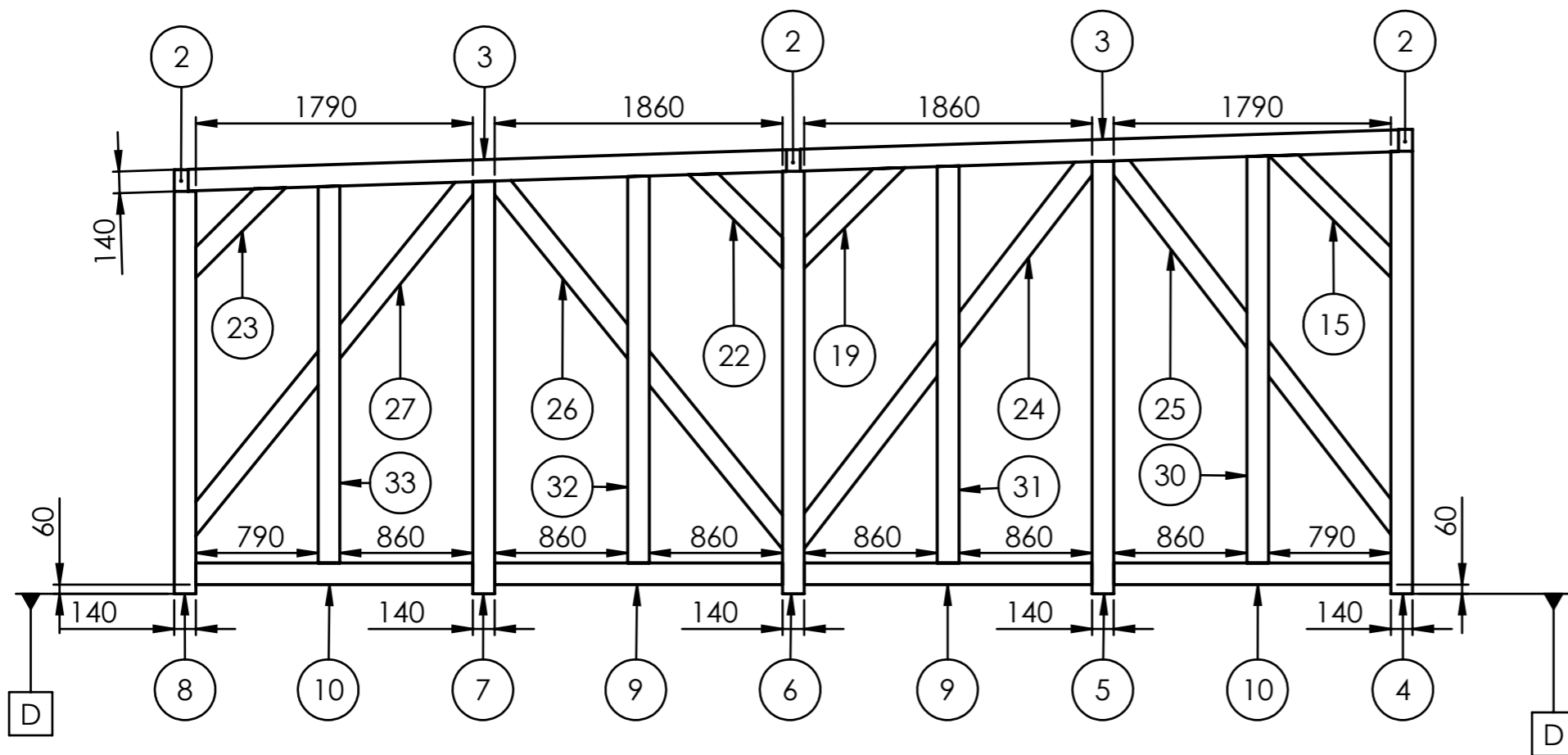
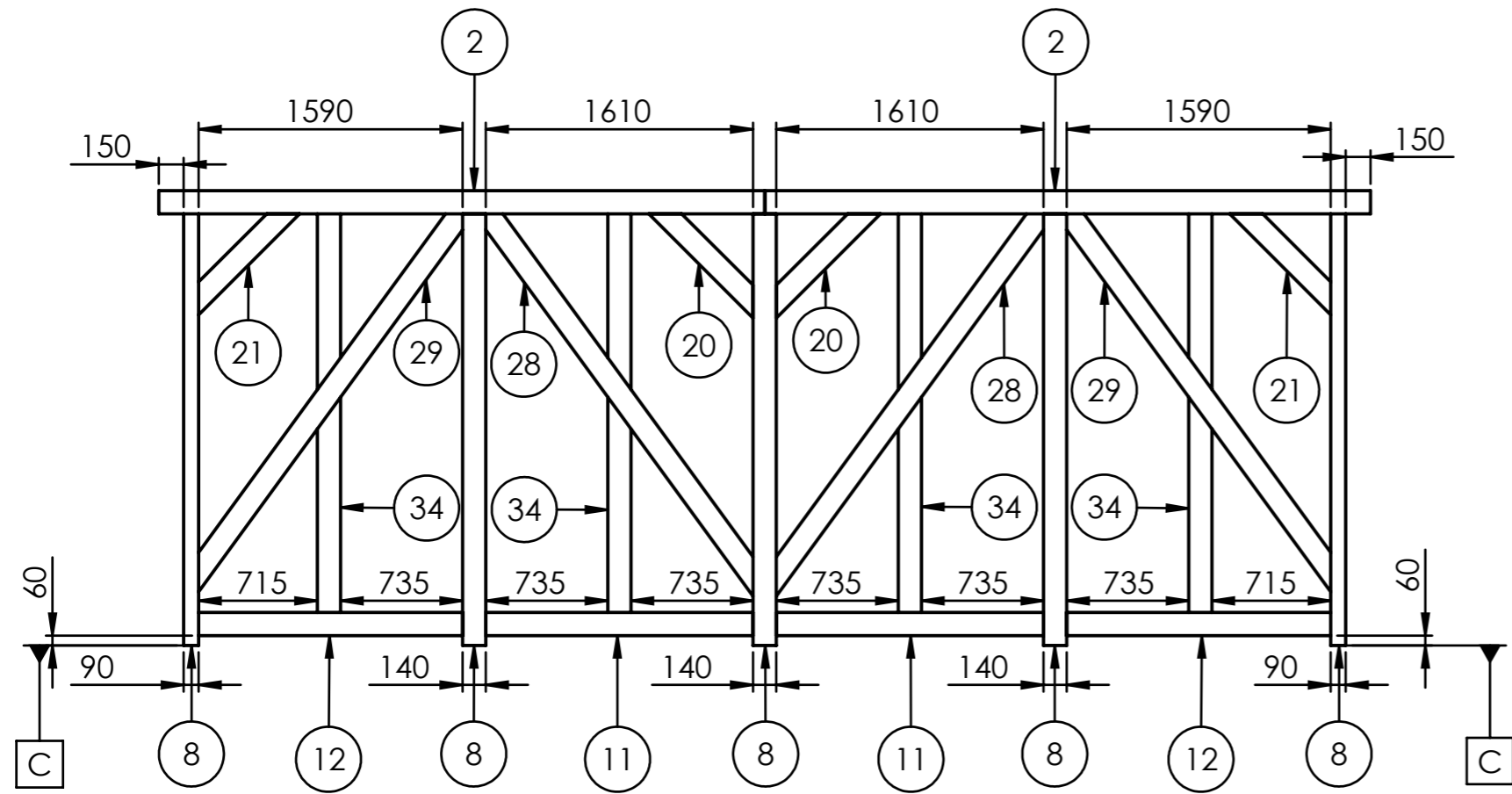
2

1



Date
2017-08-02
15:37:43

					2017-07-24					A3
					Date			051295 GB7080(19) [Posts]		Walls plan ABCDEF
					Sheet 1-10					

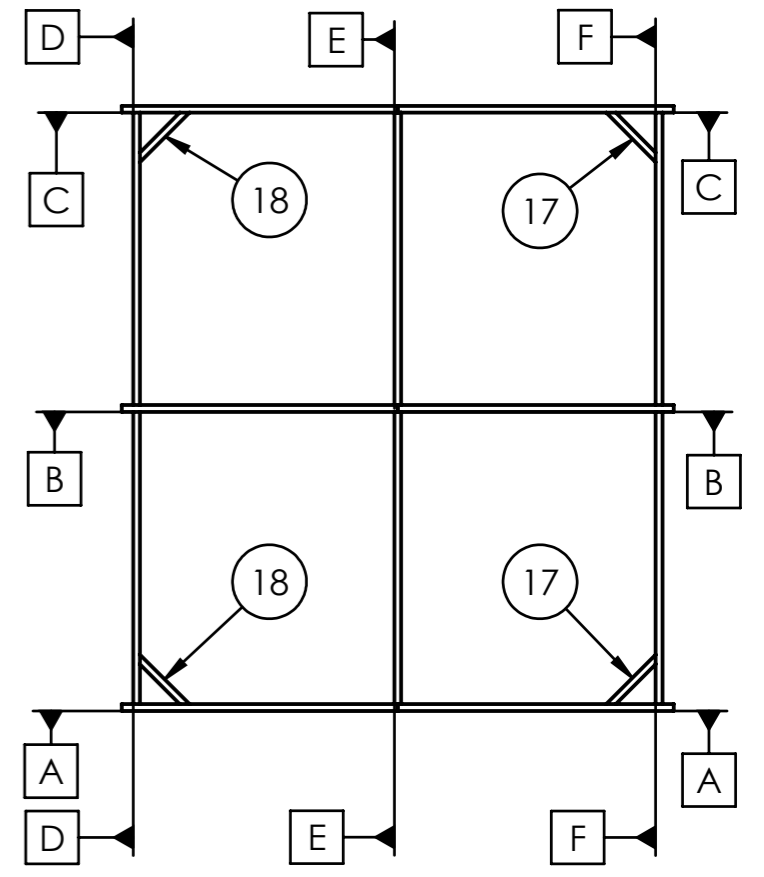
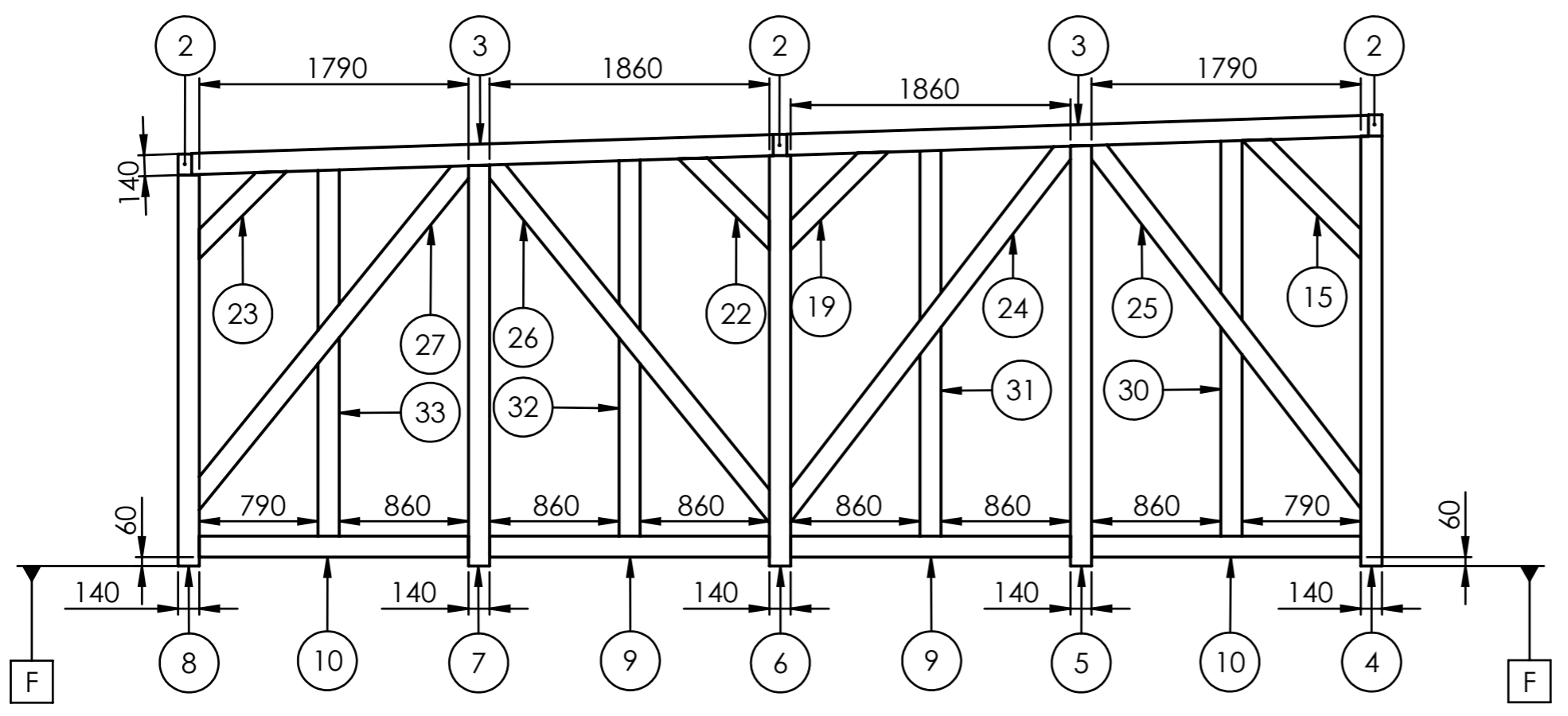
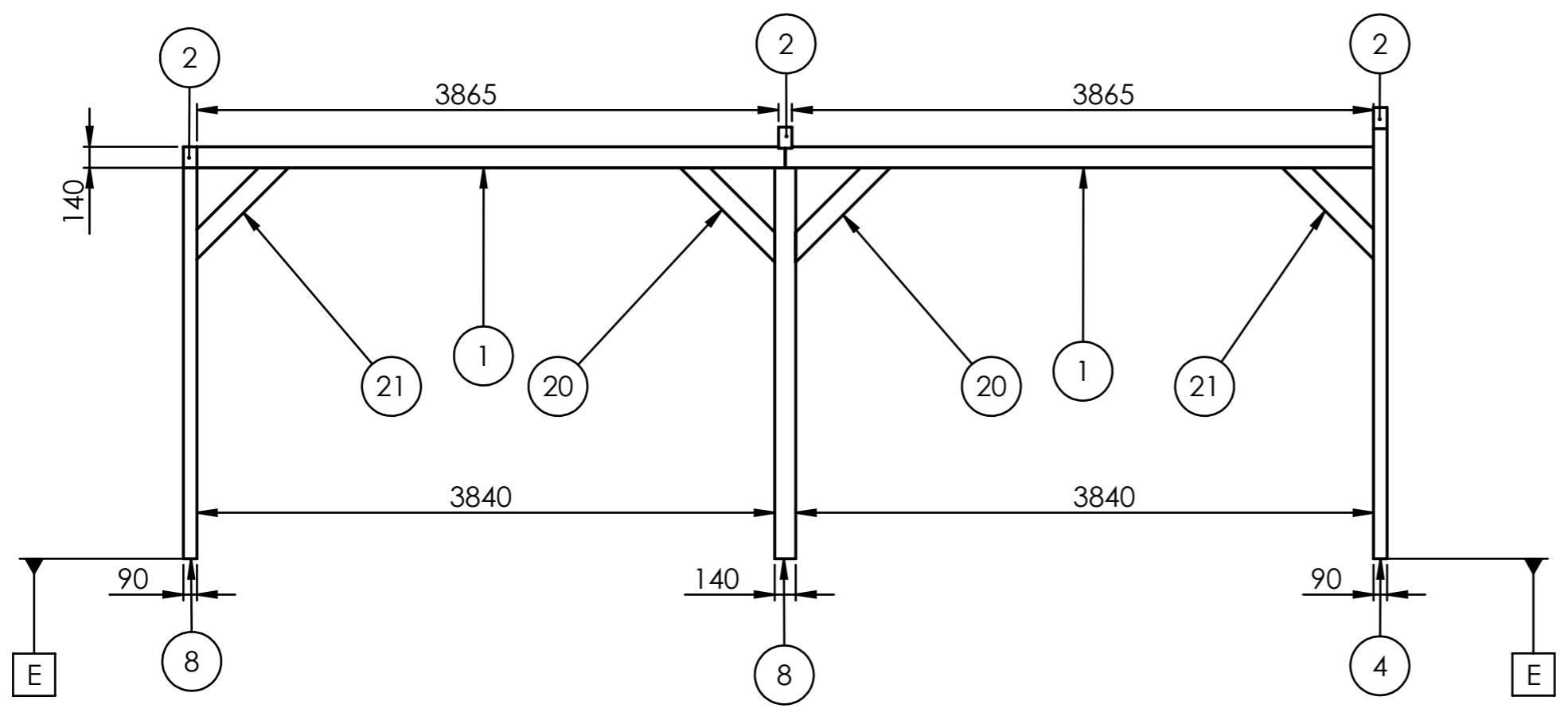


Date
2017-08-02
15:37:43

			2017-07-24		
	Sheet 3-10		Date		

051295 GB7080(19) [Posts]

A3
CD



Date
2017-08-02
15:37:43

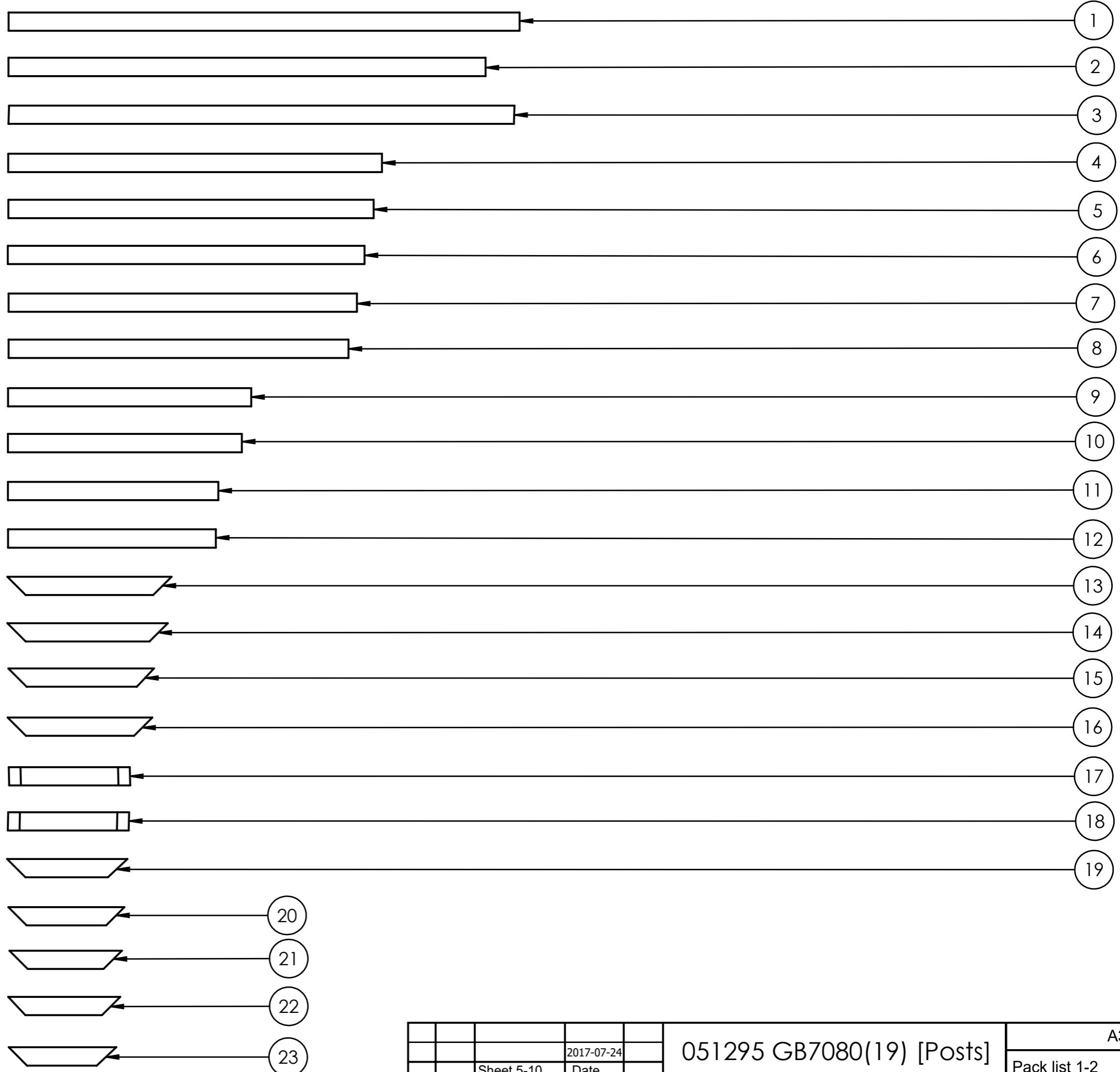
				2017-07-24	
		Sheet 4-10	Date		

051295 GB7080(19) [Posts]

A3
EF

6

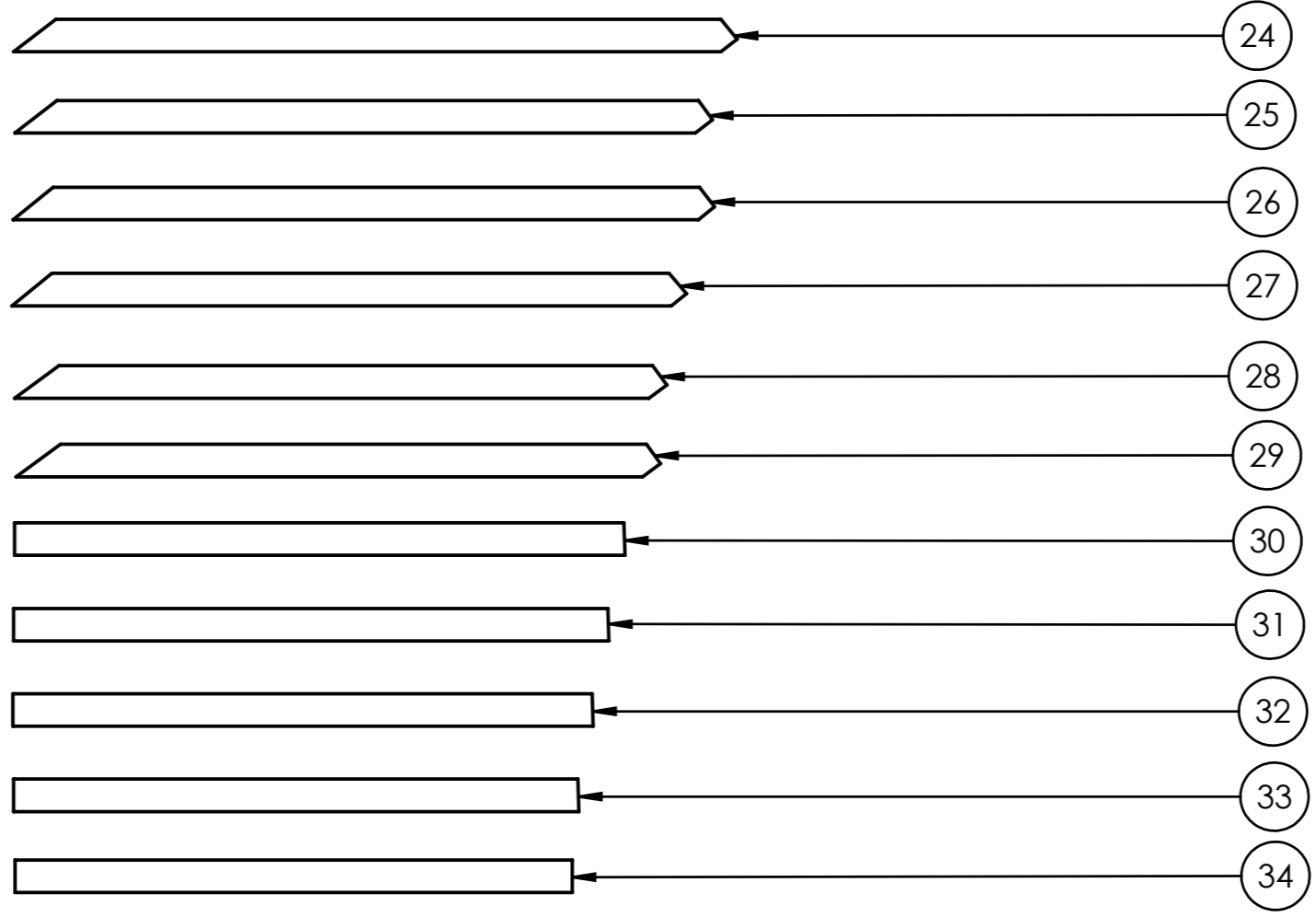
ITEM NO.	QTY.	DESCRIPTION	LENGTH
1	2	PILLAR 140x90	3910
2	6	PILLAR 140x90	3650
3	4	PILLAR 140x90	3872
4	3	PILLAR 140x90	2860
5	2	PILLAR 140x90	2795
6	2	PILLAR 140x90	2730
7	2	PILLAR 140x90	2665
8	6	PILLAR 140x90	2600
9	4	PILLAR 140x90	1860
10	4	PILLAR 140x90	1790
11	2	PILLAR 140x90	1610
12	2	PILLAR 140x90	1590
13	2	PILLAR 140x90	1256
14	2	PILLAR 140x90	1228
15	2	PILLAR 140x90	1114
16	2	PILLAR 140x90	1107
17	2	PILLAR 140x90	929
18	2	PILLAR 140x90	929
19	2	PILLAR 140x90	921
20	4	PILLAR 140x90	888
21	6	PILLAR 140x90	860
22	2	PILLAR 140x90	857
23	2	PILLAR 140x90	822



Date 2017-08-02 15:37:43

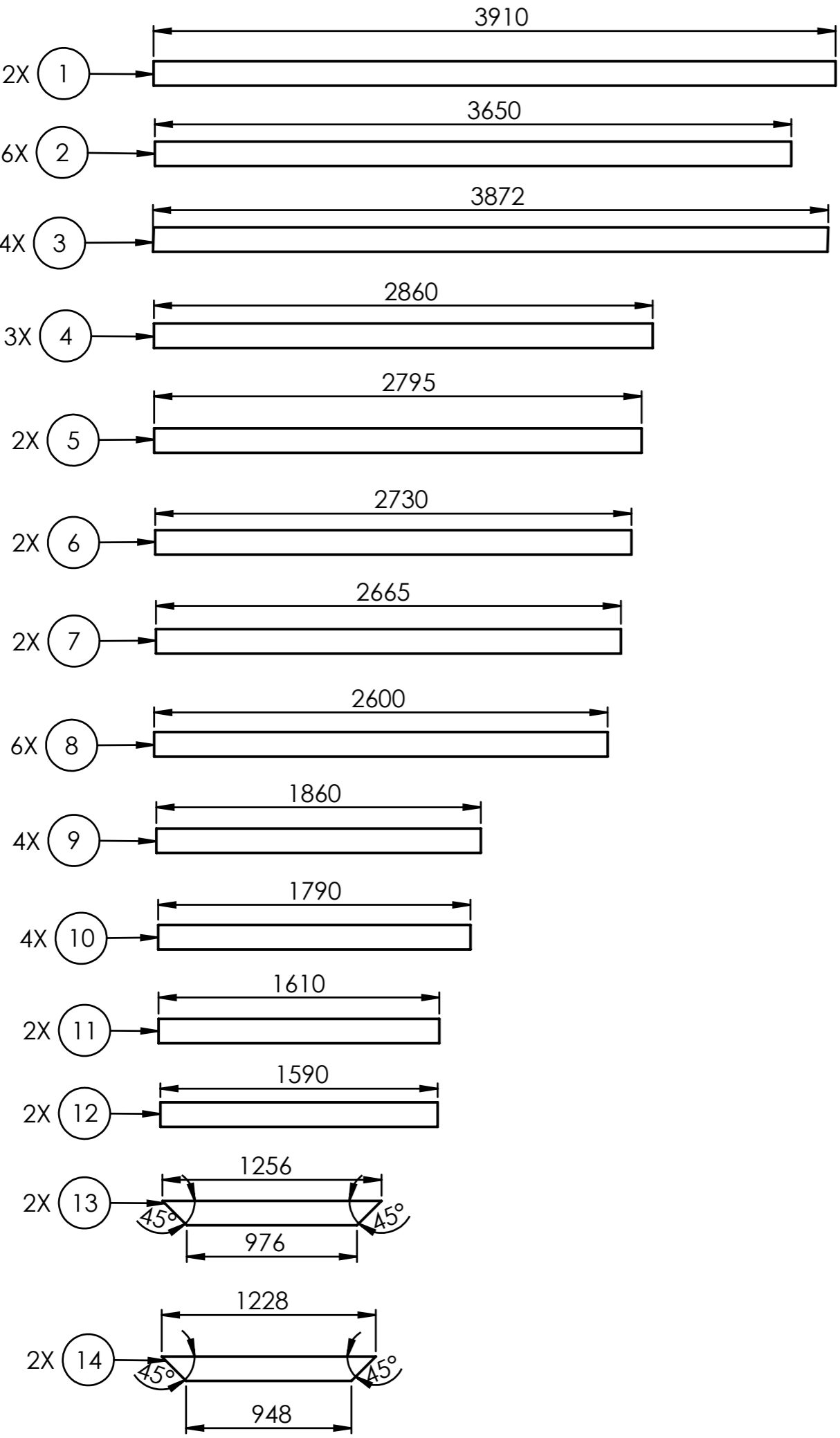
7

ITEM NO.	QTY.	DESCRIPTION	LENGTH
24	2	BEAM 140x40	3117
25	2	BEAM 140x40	3006
26	2	BEAM 140x40	3021
27	2	BEAM 140x40	2906
28	2	BEAM 140x40	2810
29	2	BEAM 140x40	2776
30	2	BEAM 140x40	2630
31	2	BEAM 140x40	2565
32	2	BEAM 140x40	2500
33	2	BEAM 140x40	2435
34	4	BEAM 140x40	2400



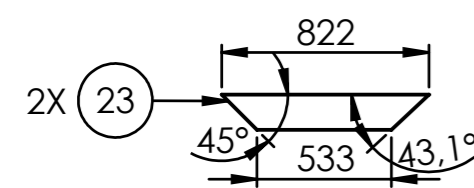
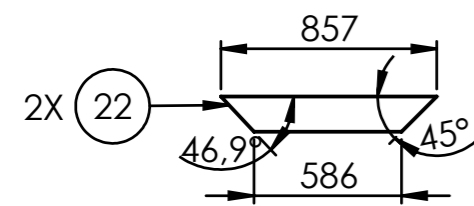
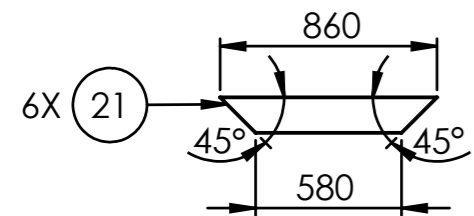
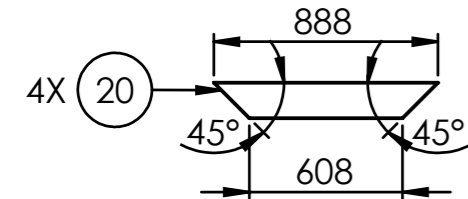
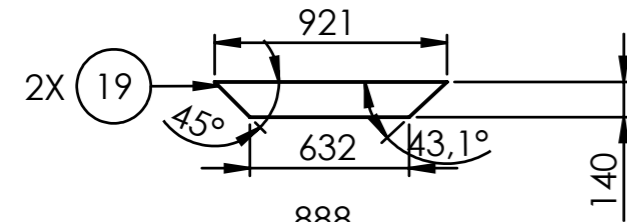
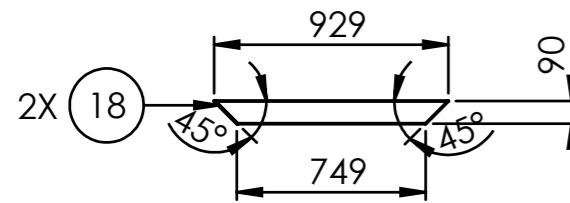
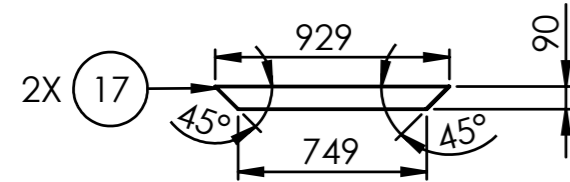
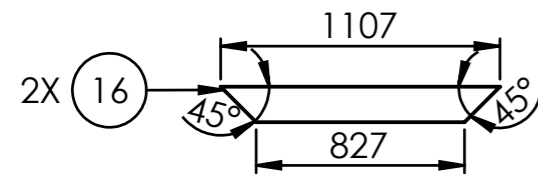
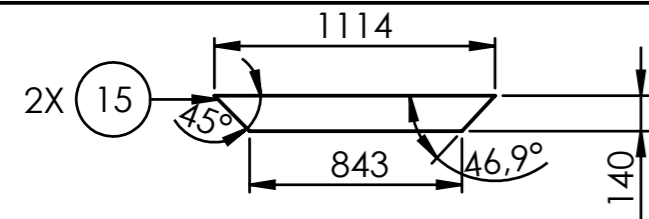
Date	2017-08-02 15:37:43
------	------------------------

A



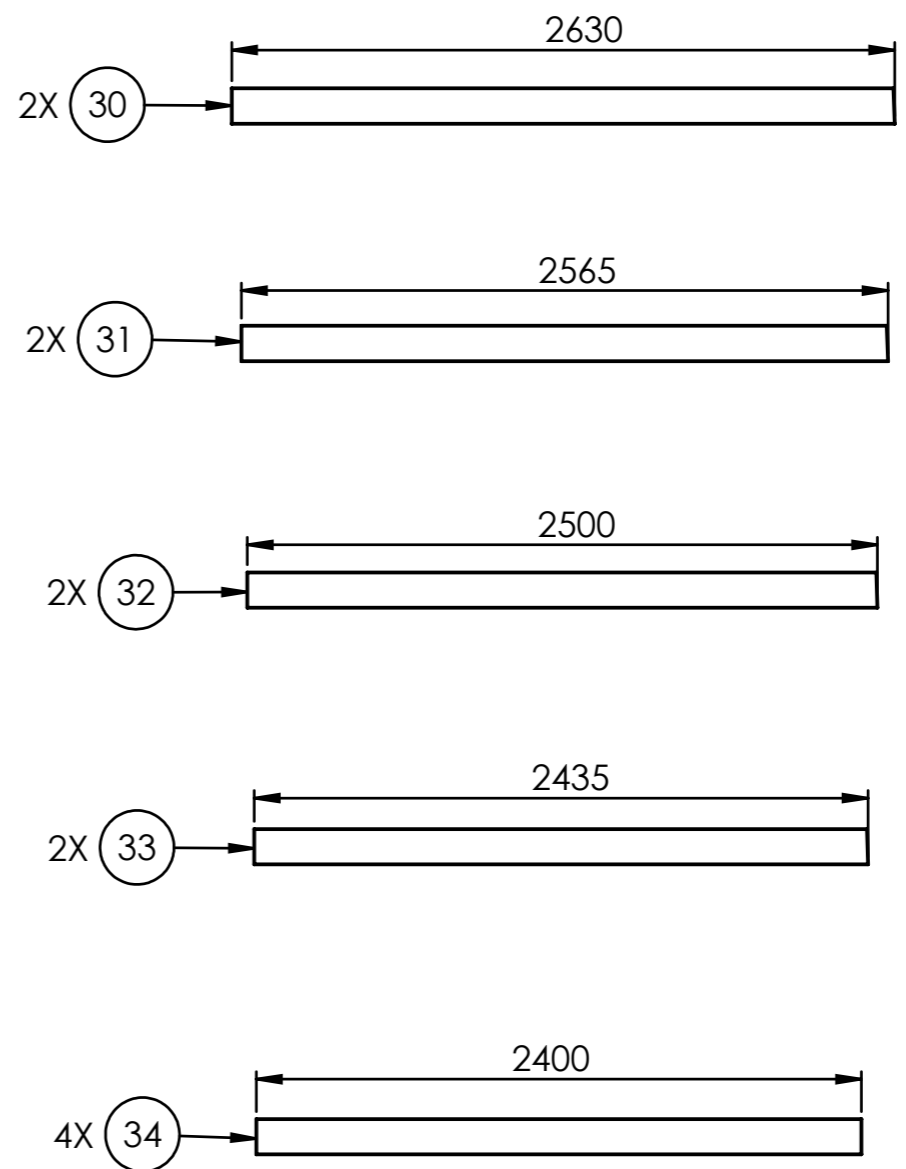
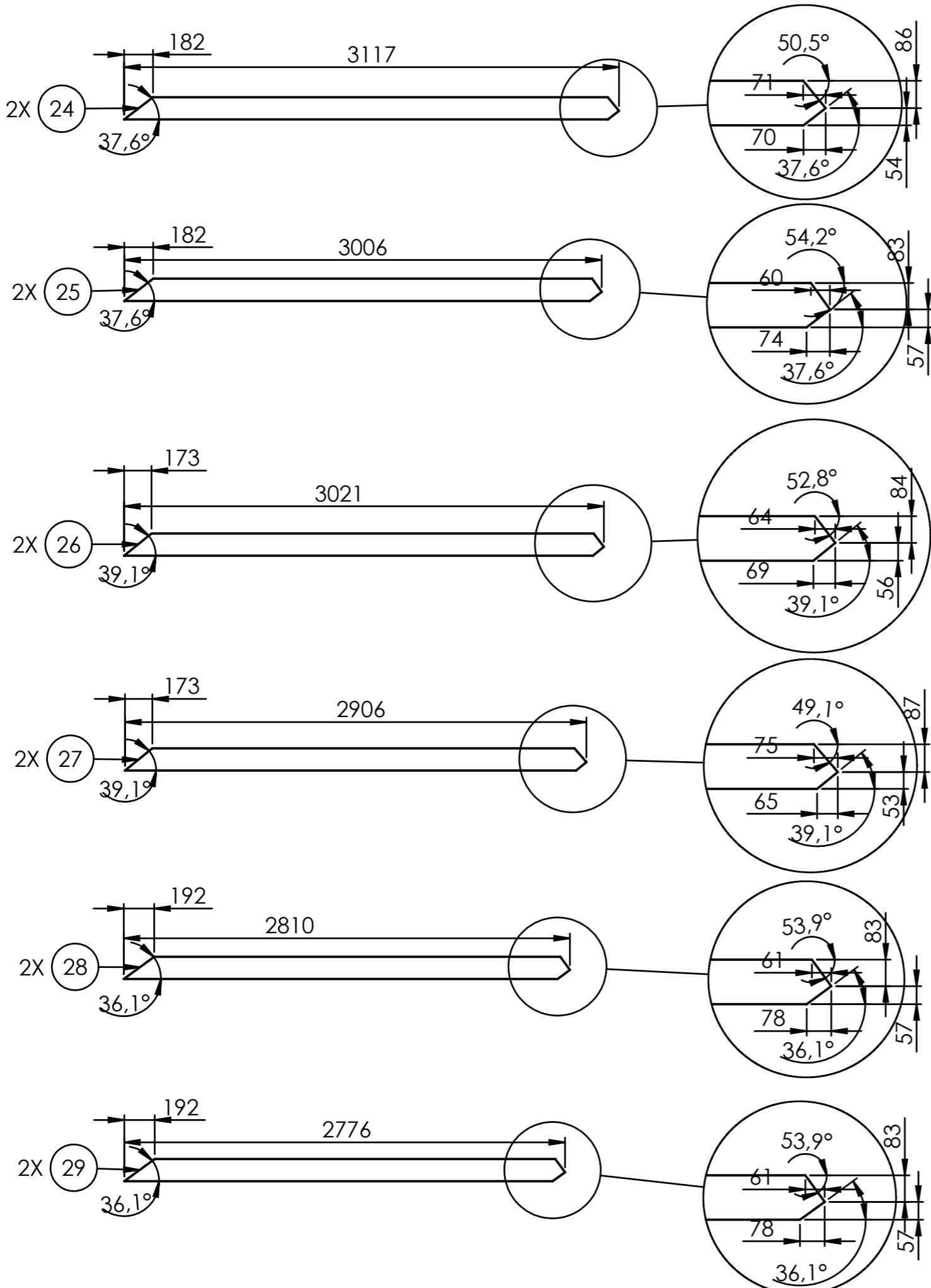
Date	2017-08-02	15:37:43

9



Date 2017-08-02 15:37:43

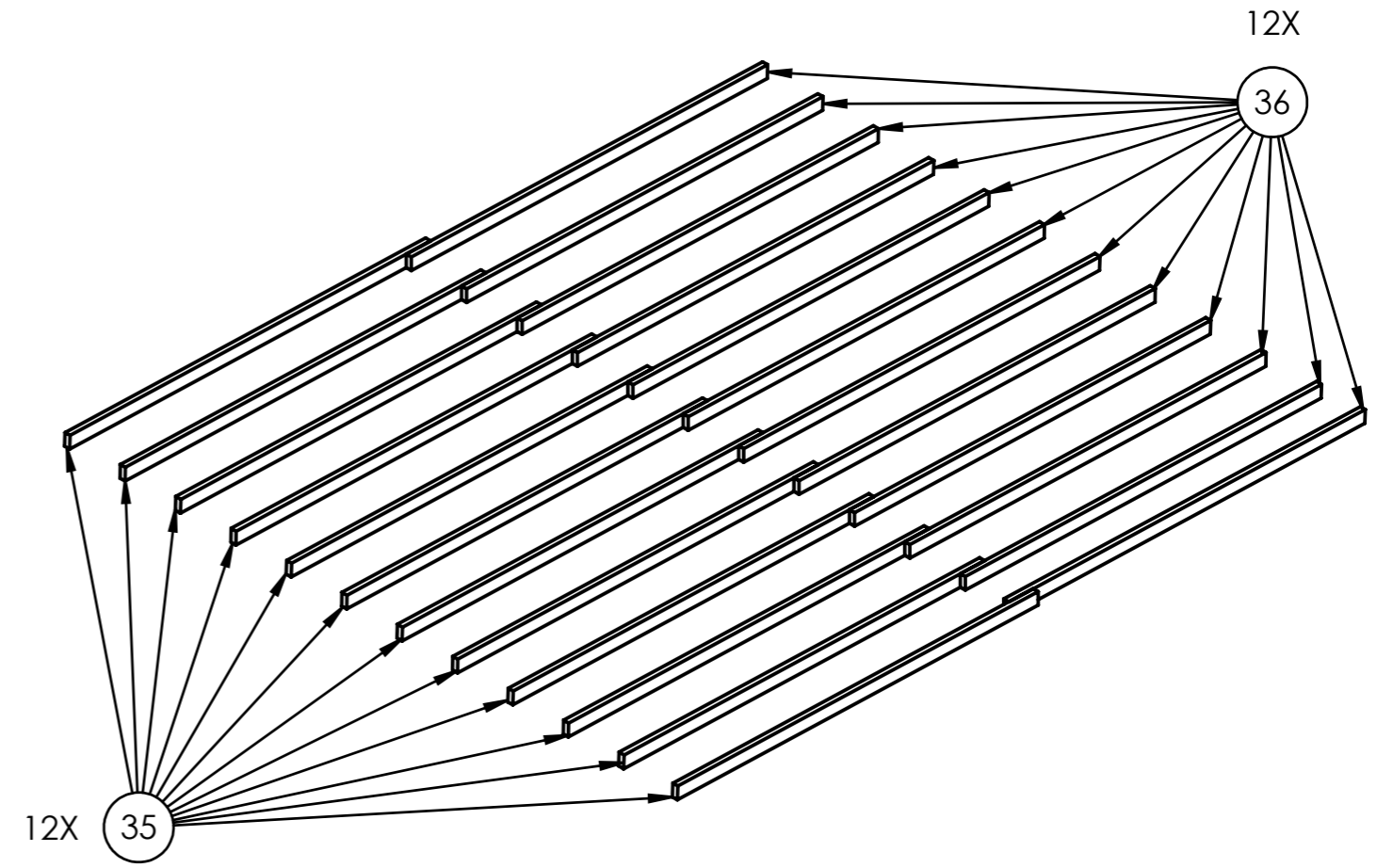
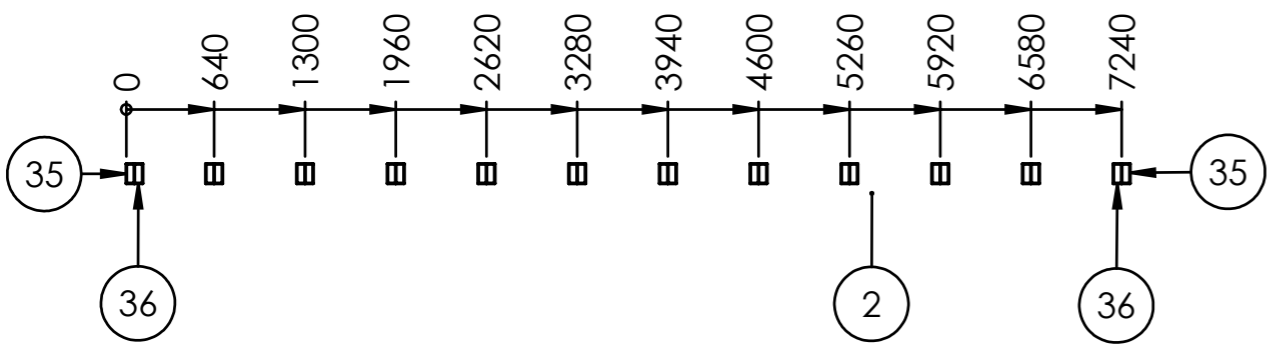
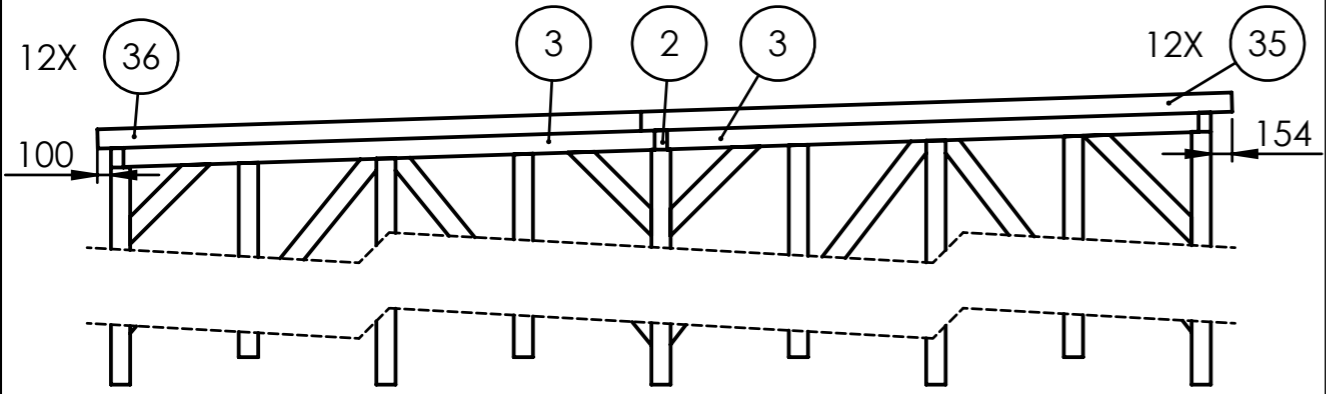
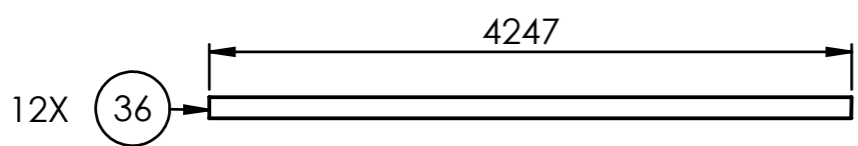
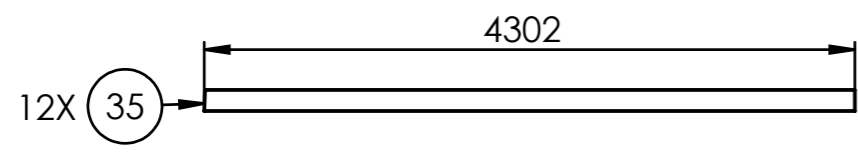
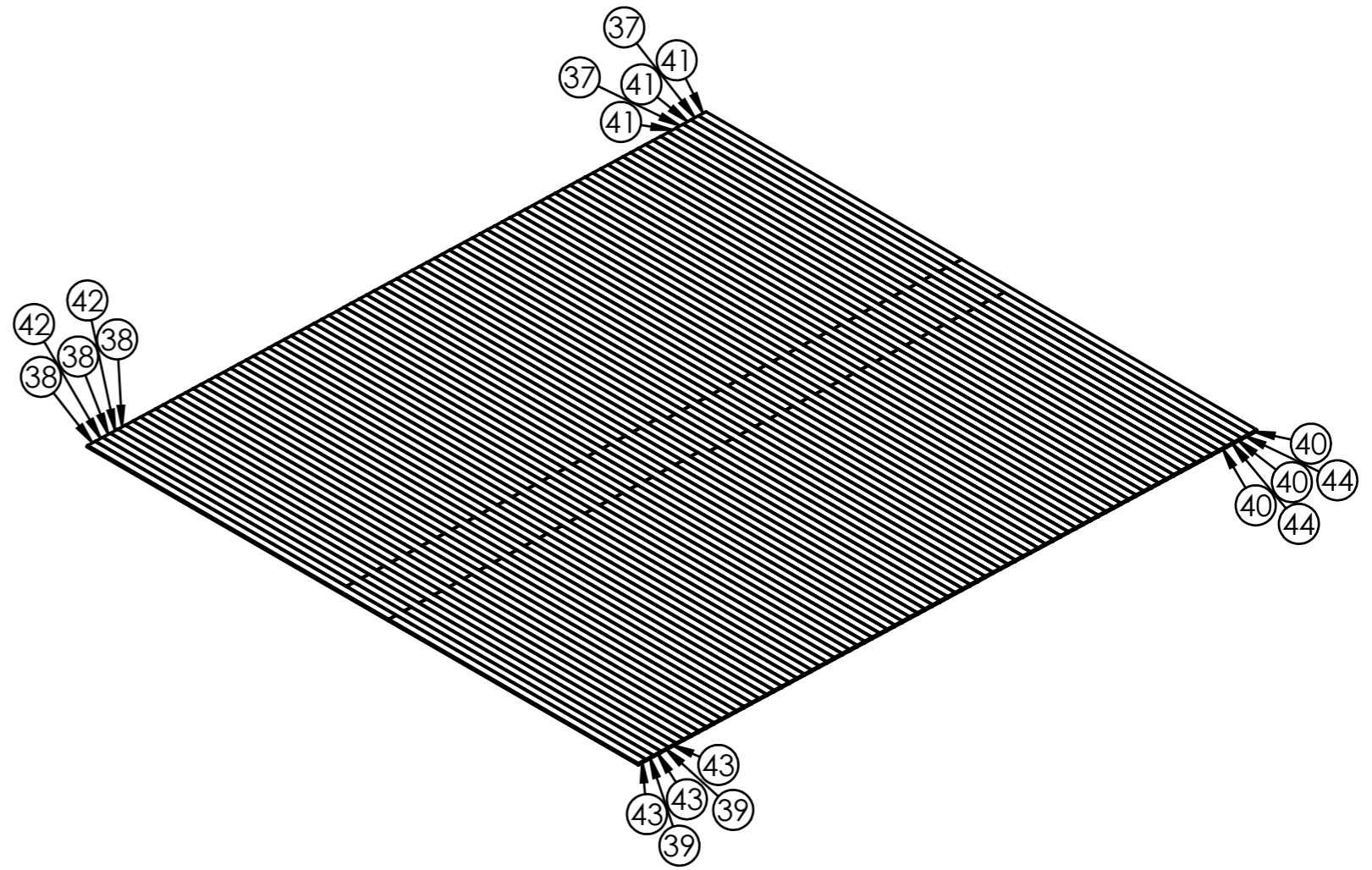
				2017-07-24				051295 GB7080(19) [Posts]	A3
		Sheet 8-10	Date						15-23



Date	2017-08-02
	15:37:43

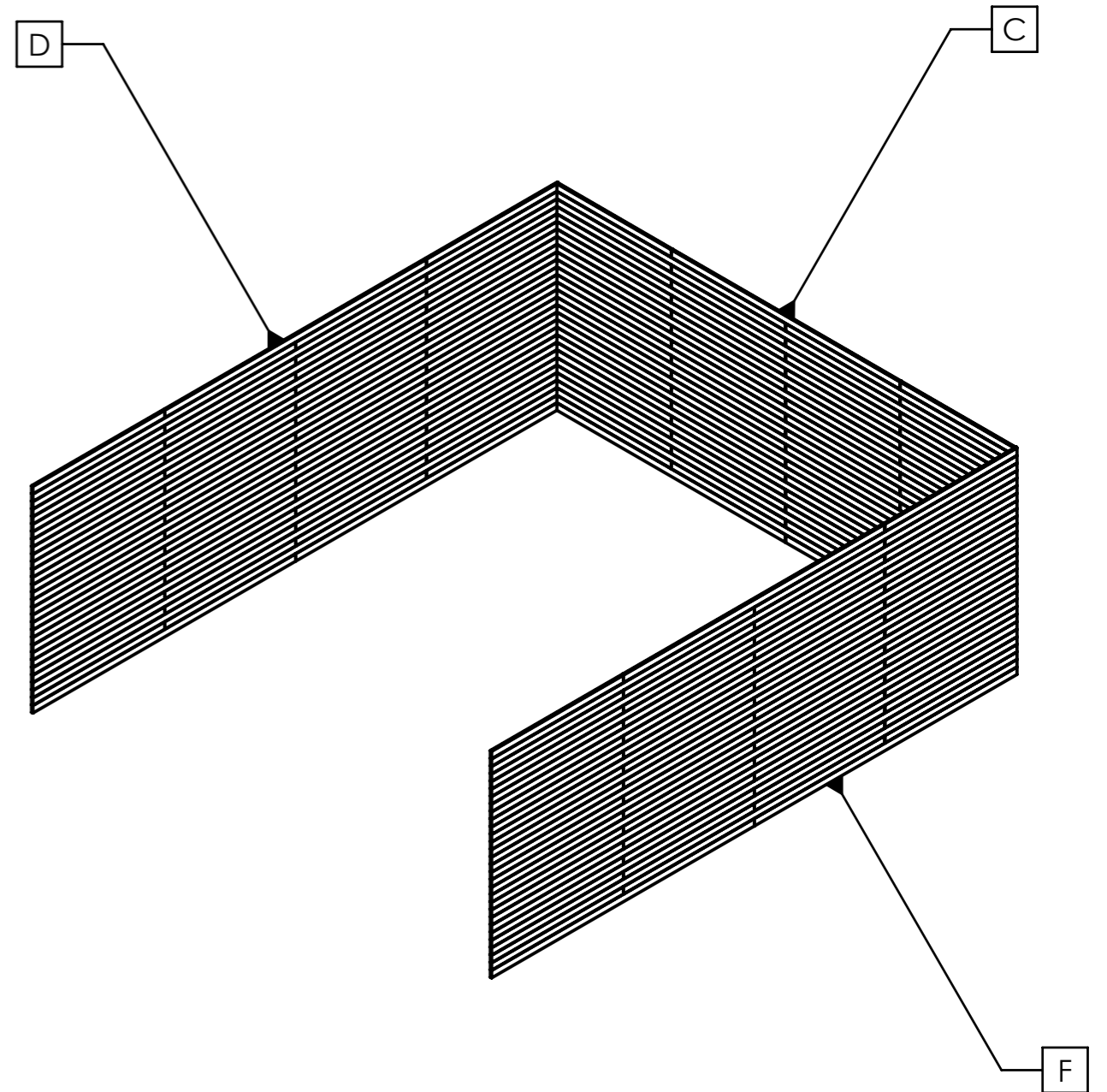
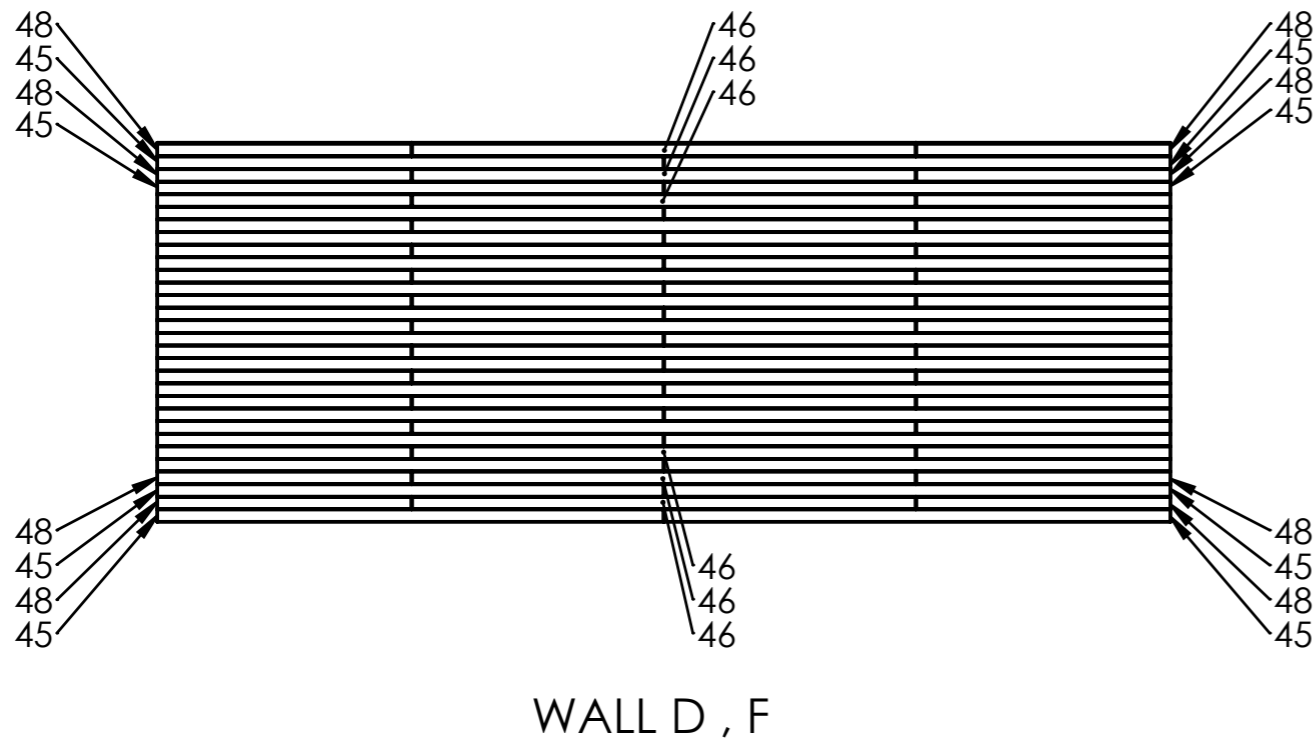
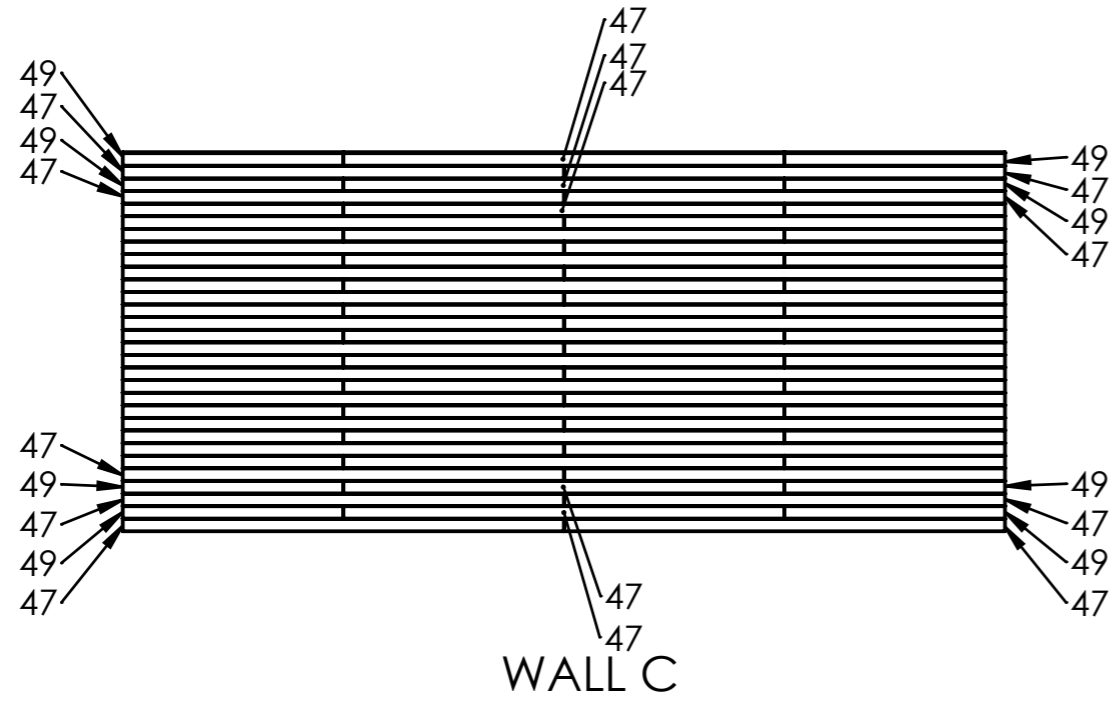
		2017-07-24		051295 GB7080(19) [Posts]	A3
	Sheet 9-10	Date			24-34

ITEM NO.	QTY.	DESCRIPTION	LENGTH
35	12	RAFTERS 60x140	4302
36	12	RAFTERS 60x140	4247
37	20	ROOF BOARD 19x100	4050
38	21	ROOF BOARD 19x100	3990
39	21	ROOF BOARD 19x100	3970
40	20	ROOF BOARD 19x100	3910
41	20	ROOF BOARD 19x100	3390
42	21	ROOF BOARD 19x100	3330
43	21	ROOF BOARD 19x100	3310
44	20	ROOF BOARD 19x100	3250

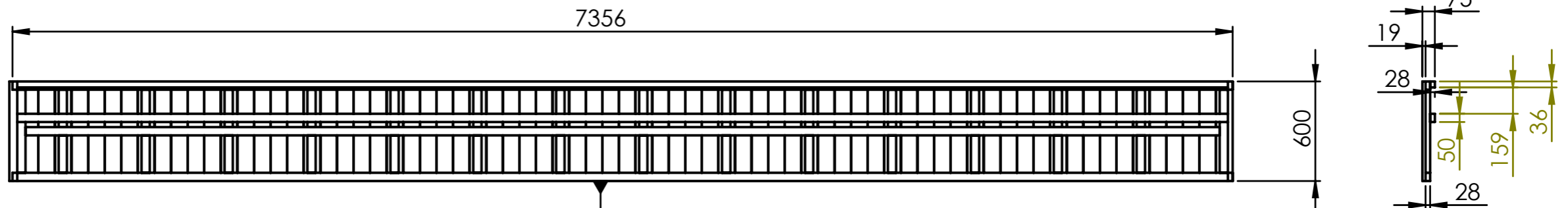


Date
2017-08-02
15:37:43

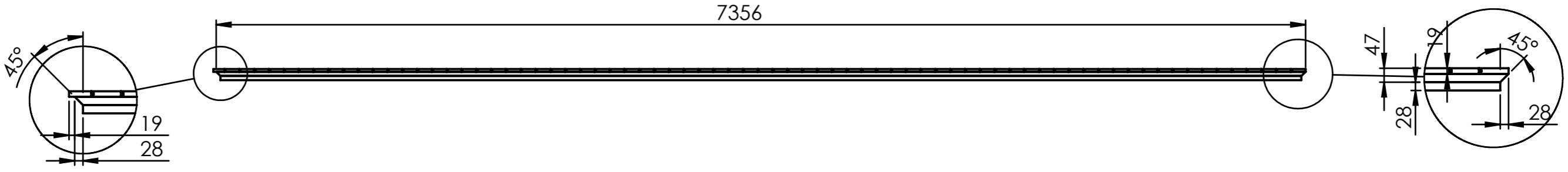
ITEM NO.	QTY.	DESCRIPTION	LENGTH
45	60	ROOF BOARD 19x100	4020
46	30	ROOF BOARD 19x100	4000
47	45	ROOF BOARD 19x100	3500
48	60	ROOF BOARD 19x100	2020
49	30	ROOF BOARD 19x100	1750



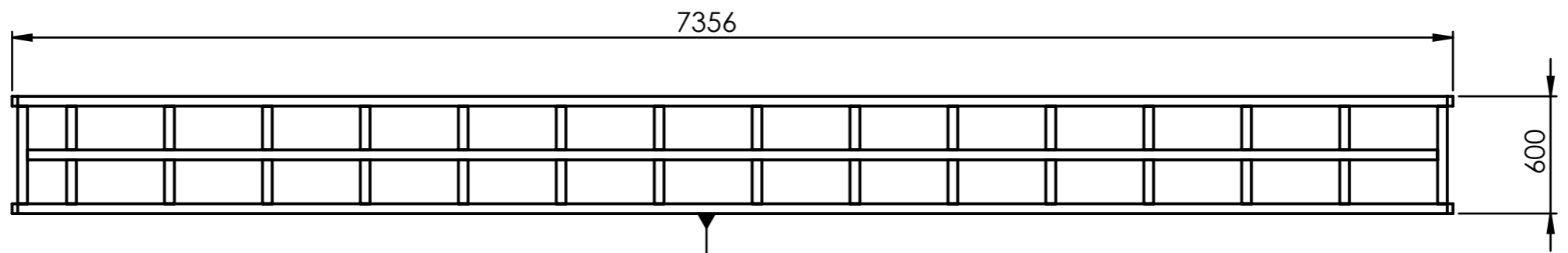
Date
2017-07-25
15:48:55



A



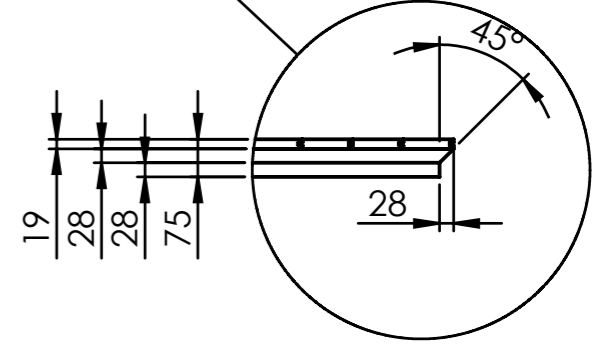
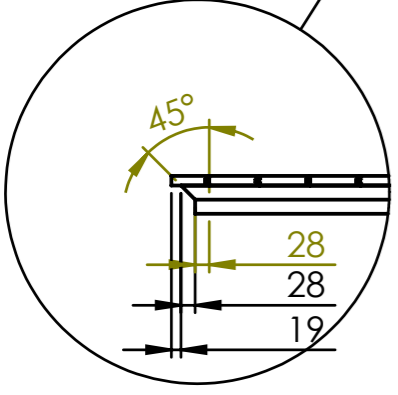
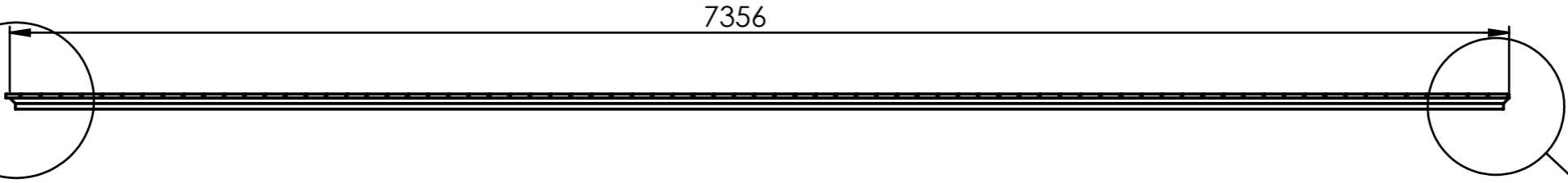
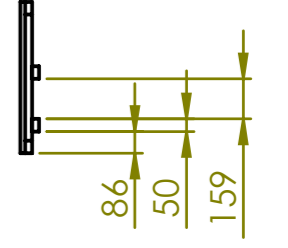
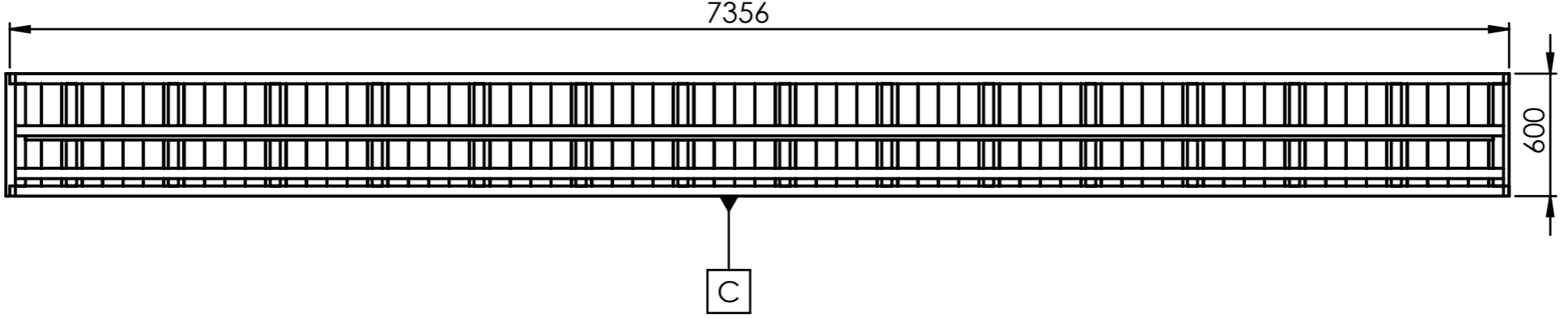
Remas

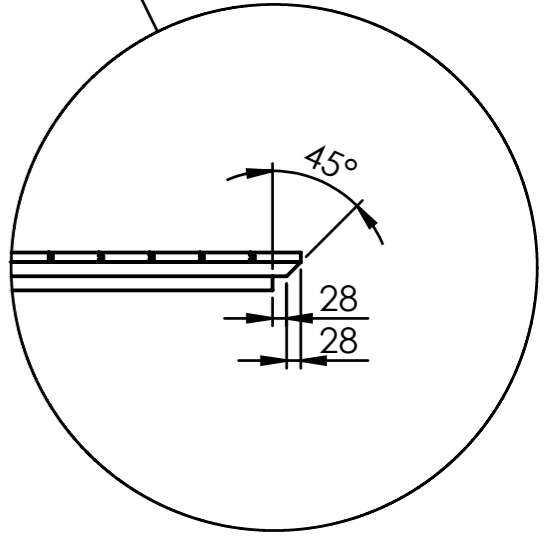
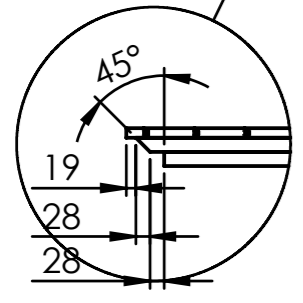
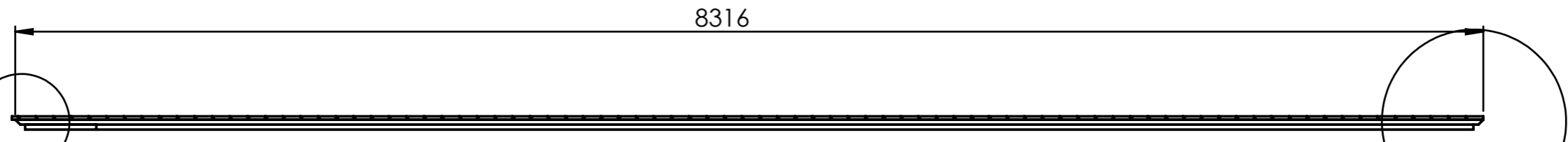
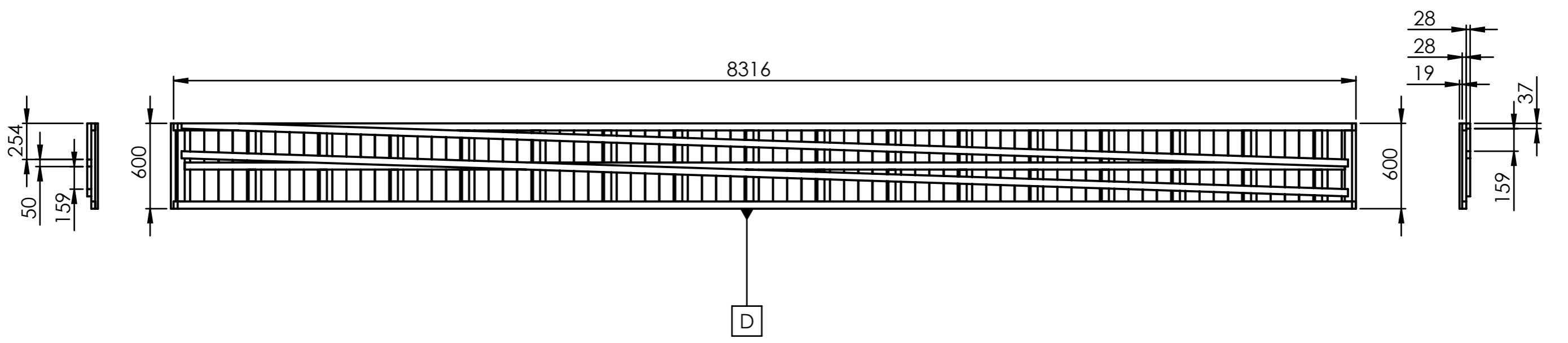


A

Date
2017-07-25
15:37:55

		2017-07-25		Headband	A3
	Sheet 2-5	Date			A

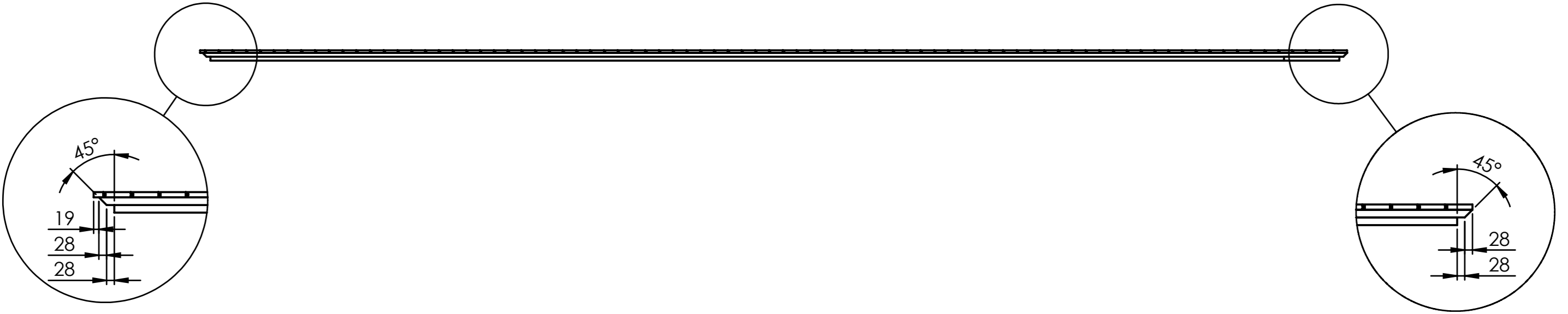
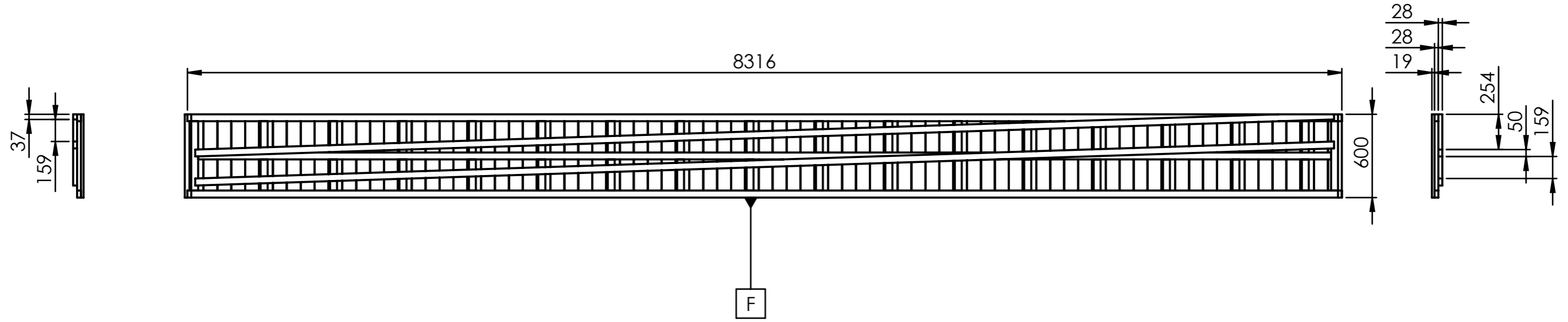




Date	2017-07-25
	15:37:55

			2017-07-25		Headband	A3
	Sheet 4-5	Date				D

17



Date	2017-07-25
Time	15:37:55

		2017-07-25				Headband	A3
	Sheet 5-5	Date					F